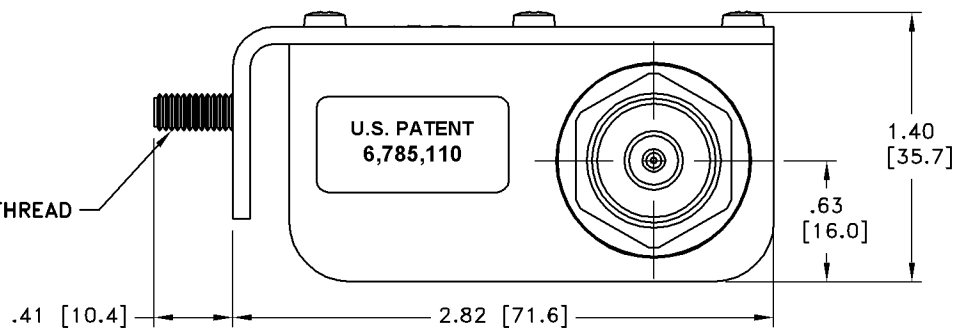
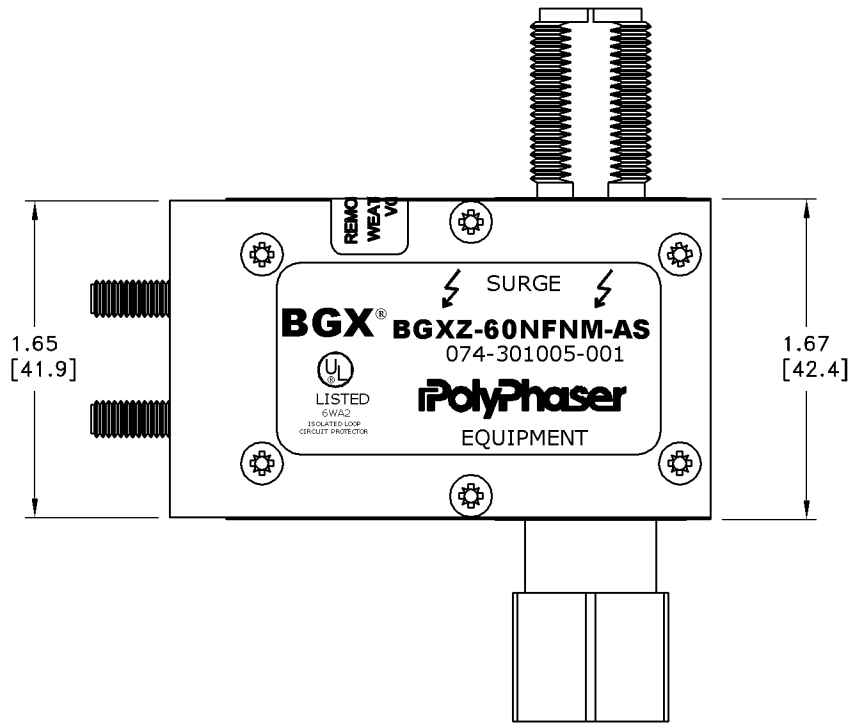
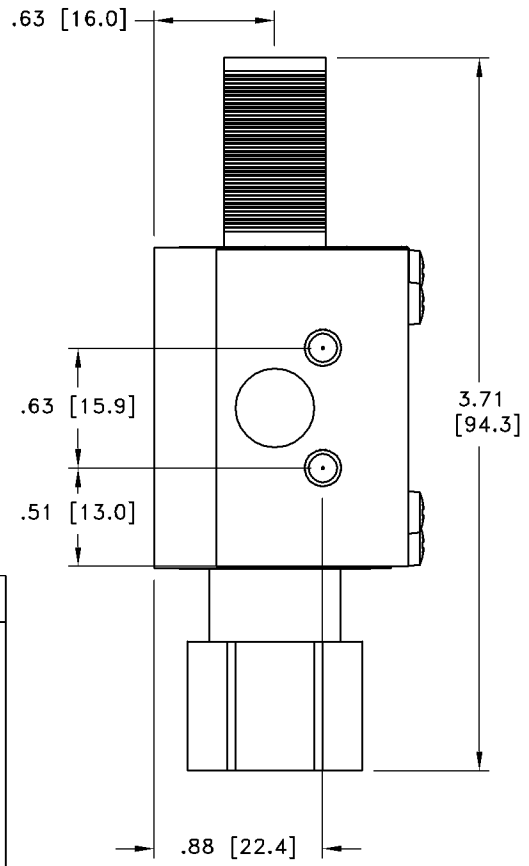


ALL DESIGN, OPERATIVE AND PROCESS DATA PERTAINING TO THE ARTICLE SHOWN ON THIS SHEET IS THE PROPERTY OF POLYPHASER CORPORATION. THE INFORMATION IS NOT TO BE COPIED, REPRODUCED, REVEALED TO OR APPROPRIATED BY OTHERS WITHOUT THE EXPRESS WRITTEN CONSENT OF POLYPHASER CORPORATION.

REVISIONS				
REV LTR	DATE	ENG	MKTG	Q.A.
E	05/02/07 SH	KCB	CP	LJ



CUSTOMER APPROVAL: \_\_\_\_\_ DATE: \_\_\_\_\_  
 ALL DIMENSIONS SHOWN ABOVE ARE FOR REFERENCE ONLY.

**MAXIMUM CHARACTERISTICS**

APPLICATION:  
**WEATHERIZED, FLANGE OR BULKHEAD MOUNT**

FREQUENCY RANGE:  
**5MHz, 10MHz, 50MHz TO 400MHz**

RETURN LOSS:  
**≥10dB @ 4.5,5.5MHz**  
**≥7dB @ 10MHz**  
**≥26dB @ 50MHz TO 400MHz**

INSERTION LOSS:  
**≤2dB 5MHz, 10MHz**  
**≤0.4dB 50MHz TO 400MHz**

POWER:  
**40W RMS AVERAGE**

TURN ON:  
**-66Vdc**

TURN ON TIME:  
**4ns FOR 2kV/ns**

MAX. SURGE:  
**3kA IEC 61000-4-5 8/20μs WAVEFORM**

THROUGHPUT ENERGY:  
**≤1000μJ FOR 3kA, 8/20μs WAVEFORM**

USER VOLTAGE:  
**-60Vdc MAX**


USAGE CURRENT:  
**≤4.0A CONTINUOUS**

RELATIVE HUMIDITY:  
**TO 95%**

ENVIRONMENTAL:  
**MEETS IEC 60529 IP67**  
**MEETS BELLCORE #TA-NWT-000487**  
**PROCEDURE 4.11, WIND DRIVEN (120MPH)**  
**RAIN INTRUSION TEST.**

TEMPERATURE:  
**-50°C TO +85°C STORAGE/OPERATING**

*These commodities or technology are exported from the U.S. in accordance with the Export Administration Regulations. Diversion contrary to U.S. law prohibited.*

DRAFTER <b>R. SWART</b>	DATE <b>05/18/04</b>	 P.O. BOX 9000 MINDEN, NV 89423 TEL: 775-782-2511 FAX: 775-782-4476 DWG NO./PART NO./DESCRIPTION <b>BGXZ-60NFM-AS</b> <b>CUSTOMER PRINT</b>	
MECH ENGINEER <b>R. DUNNING</b>	DATE <b>06/22/04</b>		
ELEC ENGINEER <b>K. BARTEL</b>	DATE <b>06/22/04</b>		
MARKETING <b>S. DOTTER</b>	DATE <b>06/22/04</b>		
QUALITY DEPT <b>L. JACQUES</b>	DATE <b>06/22/04</b>		
CAGE CODE <b>61114</b>	FILE NAME <b>-C1</b>	SCALE <b>NOTED</b>	SHEET <b>1 OF 1</b>