

Data/Signal Surge Protection

ALPU POE Series

1453-042 RevD



ALPU POE 06V
1101-873

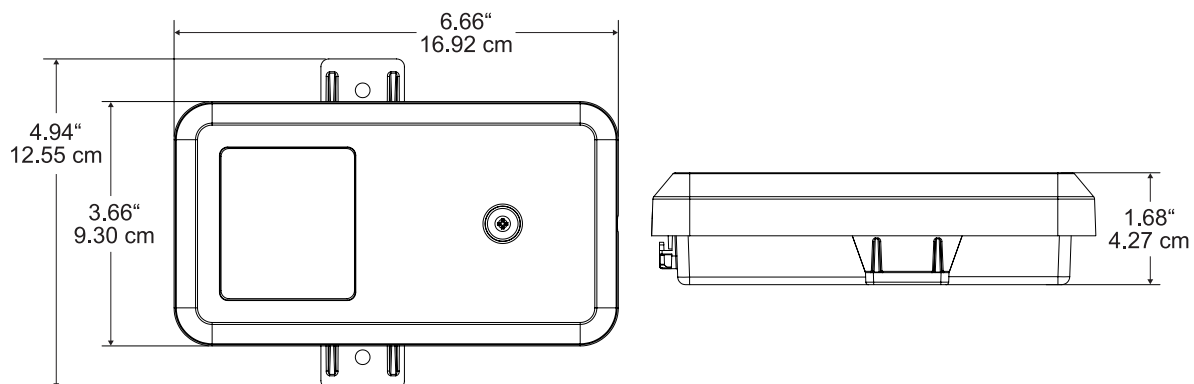
Compact outdoor Cat5, RJ-45, power over Ethernet protector, supports point to point and point to multi point radios

Features

- Compact design
- 100% frame transmission
- Easy installation / RJ-45 connectors
- Fast acting, low clamping silicon avalanche suppressor diodes
- Available in cases of 25
- 1/4-20 ground stud
- One (1) year warranty

Options

- Available in metal enclosures
- Pole mount kit
(Part Number 1000-1164)



ALPU Series	ALPU POE 06V	ALPU POE 60V	ALPU POE 90V
Part Number	1101-873	1101-897	1101-898

Performance

Data Rate	100 Mb/s	100 Mb/s	100 Mb/s
Operating Voltage	5 V on pins (1, 2), (3, 6) and 48VDC on pins (4,5), (7,8)	48 VDC, all pairs	48 VDC, all pairs
Max. Continuous Operating Voltage	6 V on pins (1, 2), (3, 6) and 60 VDC on pins (4,5), (7,8)	60 VDC, all pairs	90 VDC, all pairs
Max. Continuous Current	1 A	1 A	1 A
Isolation/Cross Talk	<-60 dB @ 32 MHz	<-60 dB @ 32 MHz	<-60 dB @ 32 MHz
Impedance	85 to 115 ohms	85 to 115 ohms	85 to 115 ohms
Attenuation	<-1 dB @ 16 MHz	<-1 dB @ 16 MHz	<-1 dB @ 16 MHz
Connector	RJ-45 Cat5	RJ-45 Cat5	RJ-45 Cat5
Pins Protected	All pins protected	All pins protected	All pins protected
Peak Surge Current 10/1000 μ s	100 A	100 A	100 A
Data Voltage Protection Level 10/1000 μ s	<25 Vpk @ 100 A (1,2), (3,6)	<75 Vpk @ 100 A (1,2), (3,6)	<150 Vpk @ 100 A (1,2), (3,6)
Response Time	<5 nanoseconds	<5 nanoseconds	<5 nanoseconds

Mechanical

Dimensions HxWxD	6.7" x 5.0" x 1.7" 17.0 cm x 12.6 cm x 4.3 cm	6.7" x 5.0" x 1.7" 17.0 cm x 12.6 cm x 4.3 cm	6.7" x 5.0" x 1.7" 17.0 cm x 12.6 cm x 4.3 cm
Weight	0.5 lbs. / 0.2 kg	0.5 lbs. / 0.2 kg	0.5 lbs. / 0.2 kg

Environmental

Enclosure Rating	UL 94V-0	UL 94V-0	UL 94V-0
Operating Temperature	-40°C to +80°C	-40°C to +80°C	-40°C to +80°C
Humidity	99% non condensing	99% non condensing	99% non condensing